

Extinguisher rack

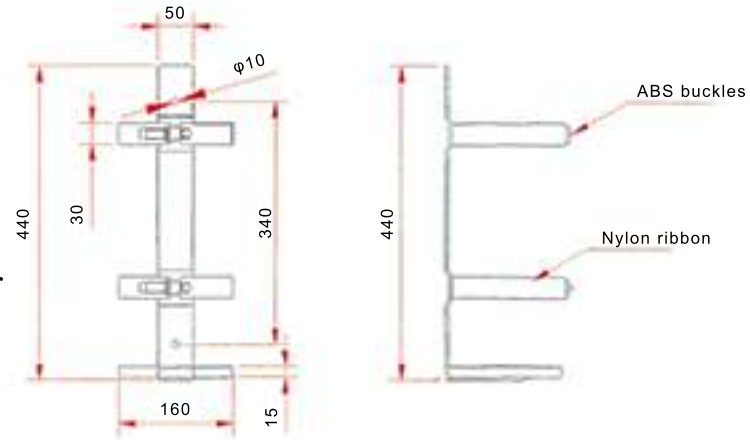
www.DX-marine.com
DESIGN BY DX-MARINE



Technical specifications:

Material: Carbon steel, Stainless steel 304, Stainless steel 316, Surface spraying red.

Suitable for: 6kg portable dry powder extinguisher

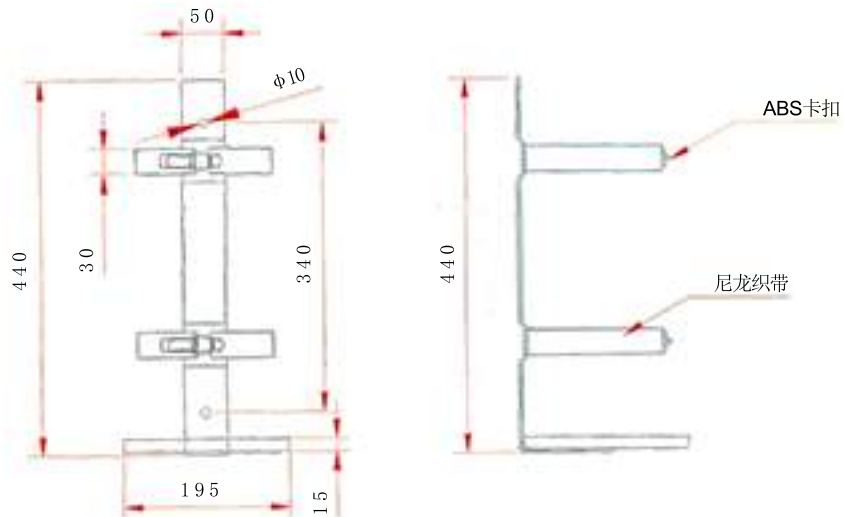


Technical specifications:

Material: Carbon steel, Stainless steel 304, Stainless steel 316, Surface spraying red.

Suitable for:

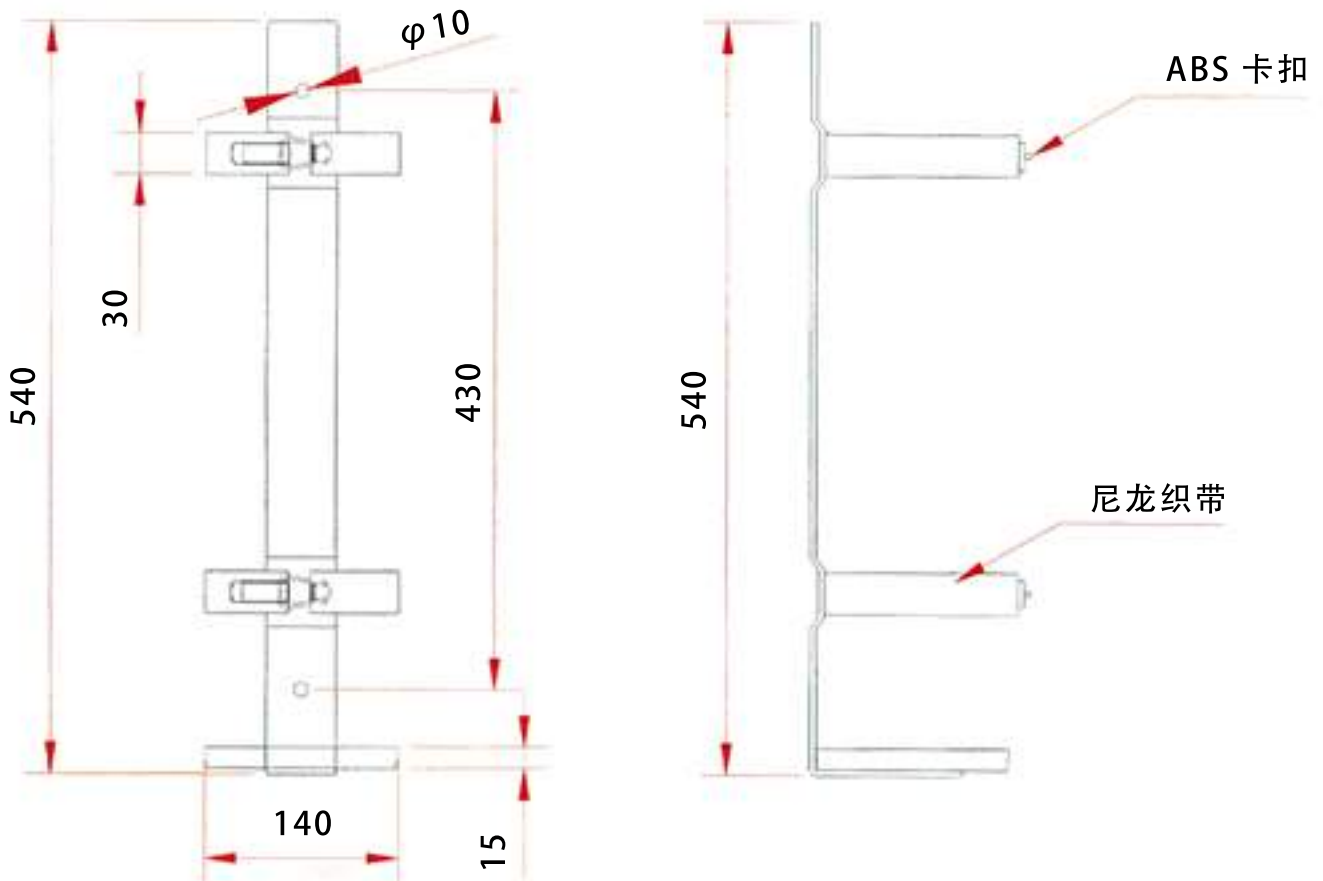
- 9L portable foam extinguisher
- 9L portable wet chemical extinguisher
- 9kg portable dry powder extinguisher
- 12kg portable dry powder extinguisher



Technical specifications:

Material: Carbon steel, Stainless steel 304, Stainless steel 316, Surface spraying red.

Suitable for: 5kg portable CO2 extinguisher



Technical specifications:

Material: Carbon steel, Stainless steel 304, Stainless steel 316

Suitable for: Fixing various types of portable fire extinguishers with different diameters.



Jiangsu Dingxiang Marine Equipment Co.,LTD.

Professional fire fighting & life saving equipment manufacturer