

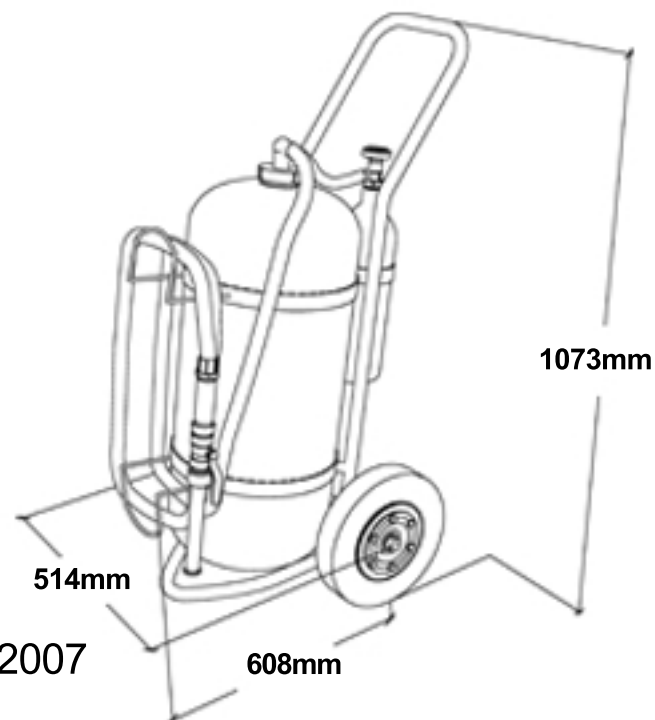
# 45L Mobile AFFF Foam Fire Extinguisher



[www.DX-marine.com](http://www.DX-marine.com)

DESIGN BY DX-MARINE

Type: RMF-45C gas cartridge  
Extinguishant: AFFF Foam(Premix)  
Capacity (L): 45  
Propellant: Carbon Dioxide(CO2)  
CO2 Gas Cartridge: 2kg  
Discharge Hose: 16mm\*6m  
Wheel Diameter  $\phi$  (mm): 300  
Body Diameter (mm): 386  
Overall Height (mm): 1073  
Width: 608  
Depth: 514  
Approx Full Weight (kg): 98  
Working Temp. Range:  
+5°C to + 60°C  
Working Pressure (20°C): 12 Bar  
Test Pressure: 21.5 Bar  
Safety Value Lift Pressure: 18-20 Bar  
Approx Discharge Range (m): 10-12  
Approx Discharge Time (sec): 105  
Fire Rating: A IIB  
Coating(Internal):  
High Build Epoxy Tank Coating  
Paint Finishing:  
RAL 3000 Flame Red  
Polyester Powder Coating  
Manufactured & Certified to: BS EN 1866: 2007  
Approved: MED EC SOLAS



**Jiangsu Dingxiang Marine Equipment Co.,LTD.**

**Professional fire fighting & life saving equipment manufacturer**